



**The appliance should be installed by qualified personnel only.
Each step must be carried out and checked in full in the order specified.**

Validity

These installation instructions apply to the models:

24009

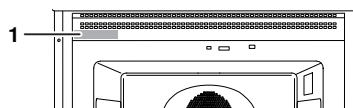
General notes



If installing into a combustible material, the guidelines and standards for low voltage installations and fire protection must be strictly observed.

Identification plate

- ▶ Open appliance door.
- The identification plate is located on the left above the cooking space (see illustration).



Electrical connections



Electrical connections must be carried out by qualified personnel in accordance with the guidelines and standards for low-voltage installations and the specifications of the local electricity supply companies.

A plug-in appliance may only be connected to a socket outlet with earthing contact, installed according to specifications. An all-pole mains isolating device with 3 mm contact opening should be provided in the house wiring system. Switches, plug and socket devices, circuit breakers and fusible cut-outs which are accessible after installation and which have all-poles switching are permissible as isolating devices. Effective earthing and separately installed neutral and earth conductors ensure safe and fault-free operation. After installation, live parts and cables with basic insulation must not be accessible. Check old installations.

The appliances are designed for use up to a max. altitude of 2000 m above sea level.

Refer to the identification plate for information on the required mains voltage, current type and fuse protection.

Australia:

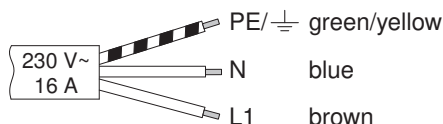
- ▶ The appliance is equipped with a plug.



Do not cut off the plug.

All other countries:

- ▶ The appliance is equipped with a mains cable that should be connected to a distribution box by the customer. The mains cable may not be replaced for thermo-technical reasons





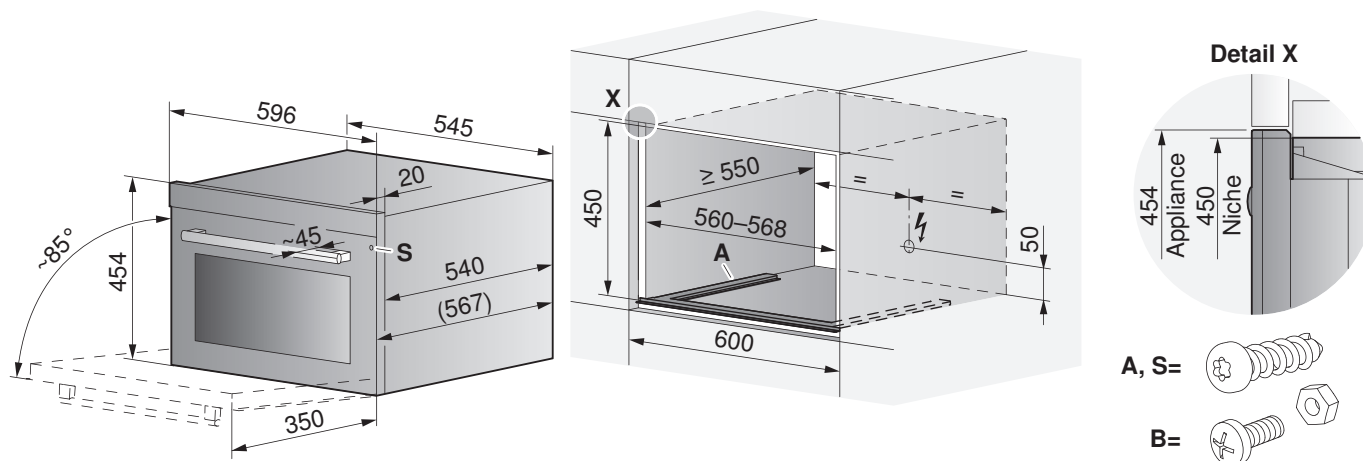
Installation



This appliance is only intended for installation in a niche.

Minimum installation height: Keep 850 mm distance from the floor to the bottom edge of the microwave!

Installation



1. Screw the mounting rail to the floor with the 2 enclosed screws **A**.
2. Place appliance in front of the niche and connect the mains plug to the mains socket.
3. Carefully slide appliance into the niche until it is flush with the front of the cabinets, ensuring that the mains cable is not pinched.
4. Open the appliance door and from the front secure the appliance at the sides with the 2 enclosed screws **S**.

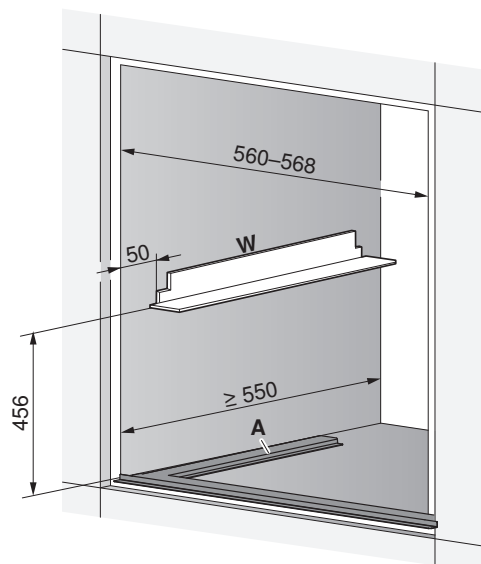


Installing with a second appliance in the same niche

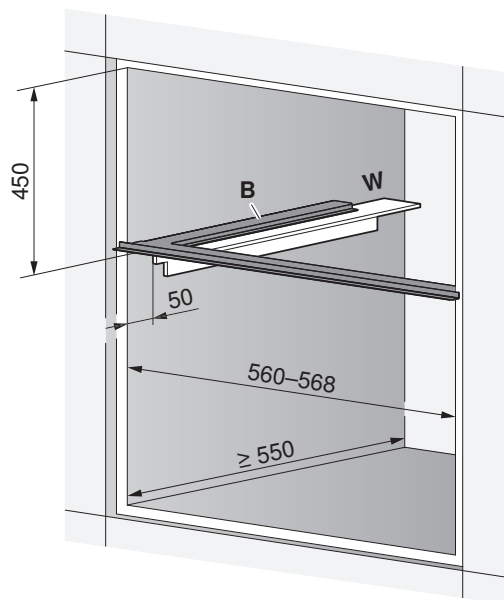


If a second appliance is installed in the same niche (above or below the appliance), use bracket set 60 **W** to support the upper appliance.
It is not possible to install the appliance above an extractor oven because of the extraction pipes that lead upwards.

Below a second appliance



Above a second appliance



1. Screw the mounting rail to the floor with the 2 enclosed screws **A** or to the angle bracket with screws **B**.
2. Place appliance in front of the niche and connect the mains plug to the mains socket.
3. Carefully slide appliance into the niche until it is flush with the front of the cabinets, ensuring that the mains cable is not pinched.
4. Open the appliance door and from the front secure the appliance at the sides with the 2 enclosed screws **S**.