

Installation instructions

Range hood

Operating mode: Extraction/recirculation

DSMS



1030057-R05

22/08/2019



**The appliance should be installed by qualified personnel only.
Each step must be carried out and checked in full in the order specified.**

Validity

These installation instructions apply to:

64005 (DSMS, construction width 11 cm)

General notes



If other firing systems are being used at the same time (e.g. wood, gas, oil or coal fired heating appliances), safe operation is only possible providing a room negative pressure of 4 Pa (0.04 mbar) is not exceeded at the location of the appliance.

Risk of toxic fumes! An adequate flow of fresh air must be guaranteed e.g. via non-closable openings in doors or windows and in combination with an air-intake/exhaust-air wall box or by other technical means.



The range hood may only be operated with a gas fired appliance of V-ZUG gas hob type: GAS321GKBZ, GAS321EKBZ, GAS421GSAZ, GAS421GSBZ, GAS641GKAZ, GAS641EKAZ, GAS641GSAZ, GAS641GSBZ, observing the permitted combination installation variants. The content of the operating and installation instructions for the listed gas hob must be observed! If operating a permitted gas appliance, the hob hood must be fitted with the dedicated gas deflector 1031218 (accessory)! Operating a gas appliance without a gas deflector is not permitted!

Failure to observe the above instruction can cause lasting bodily harm and lasting damage to property and the appliance. In such a case, any and all liability, guarantee and goodwill claims will be rejected in future!



The gas deflector may reduce the extraction power of the hob. Select a higher power level if required.



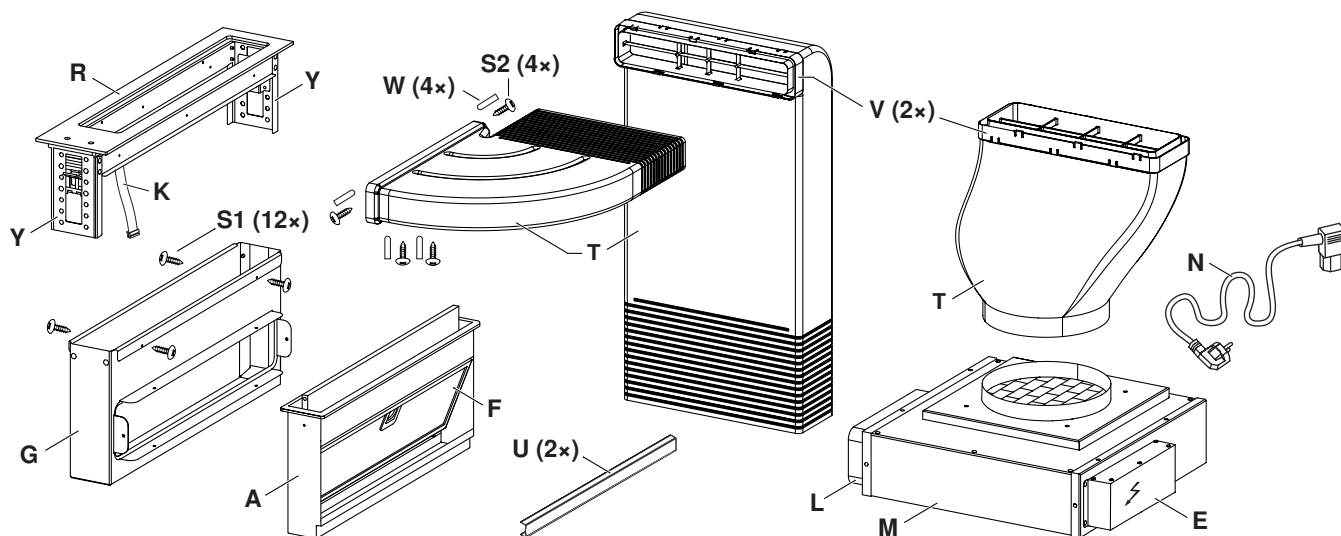
Efficient repairs can only be guaranteed if it is possible to de-install the complete appliance at any time without causing any damage.

Identification plate

- ▶ The identification plate is located in the base unit on the side panel of the fan motor.
- ▶ A second identification plate is included in the scope of delivery and should be retained for the purpose of appliance identification.



Scope of delivery



- | | | | |
|----------|---------------------|----------|---|
| A | Drip tray frame | N | Mains cable length 1.8 m |
| E | Control unit | Q | Flat channel system |
| F | Metal grease filter | R | Frame |
| G | Appliance housing | T | Exhaust air duct |
| K | Control cable | U | Spacer profile |
| L | Ventilation outlet | V | Connecting elements |
| M | Fan motor | W | Plastic covers |
| | | Y | Mounting angle (surface-mounted installation) |

Extraction mode

The extracted air must not be fed into a chimney which is used for exhausting fumes from appliances burning gas or other fuels. Observe the local fire regulations.

Recirculation mode

Dedicated accessories that need to be fitted to operate the appliance in the recirculation mode: 1012161 recirculation box with activated charcoal filters!

- Install the recirculation box with activated charcoal filter in the base or adjacent cabinet.
- If the recirculation box is not equipped with activated charcoal filters, these have to be ordered and installed before using the appliance for the first time.

The ventilation outlet must not be covered during operation.

Electrical connections

Electrical connections must be carried out by qualified personnel in accordance with the guidelines and standards for low-voltage installations and the specifications of the local electricity supply companies.

A plug-in appliance may only be connected to a socket outlet with earthing contact, installed according to specifications. An all-pole mains isolating device with 3 mm contact opening should be provided in the house wiring system. Switches, plug and socket devices, circuit breakers and fusible cut-outs which are accessible after installation and which have all-poles switching are permissible as isolating devices. Effective earthing and separately installed neutral and earth conductors ensure safe and fault-free operation. After installation, live parts and cables with basic insulation must not be accessible. Check old installations.

Installation instructions

Range hood

Operating mode: Extraction/recirculation

DSMS

1030057-R05

22/08/2019

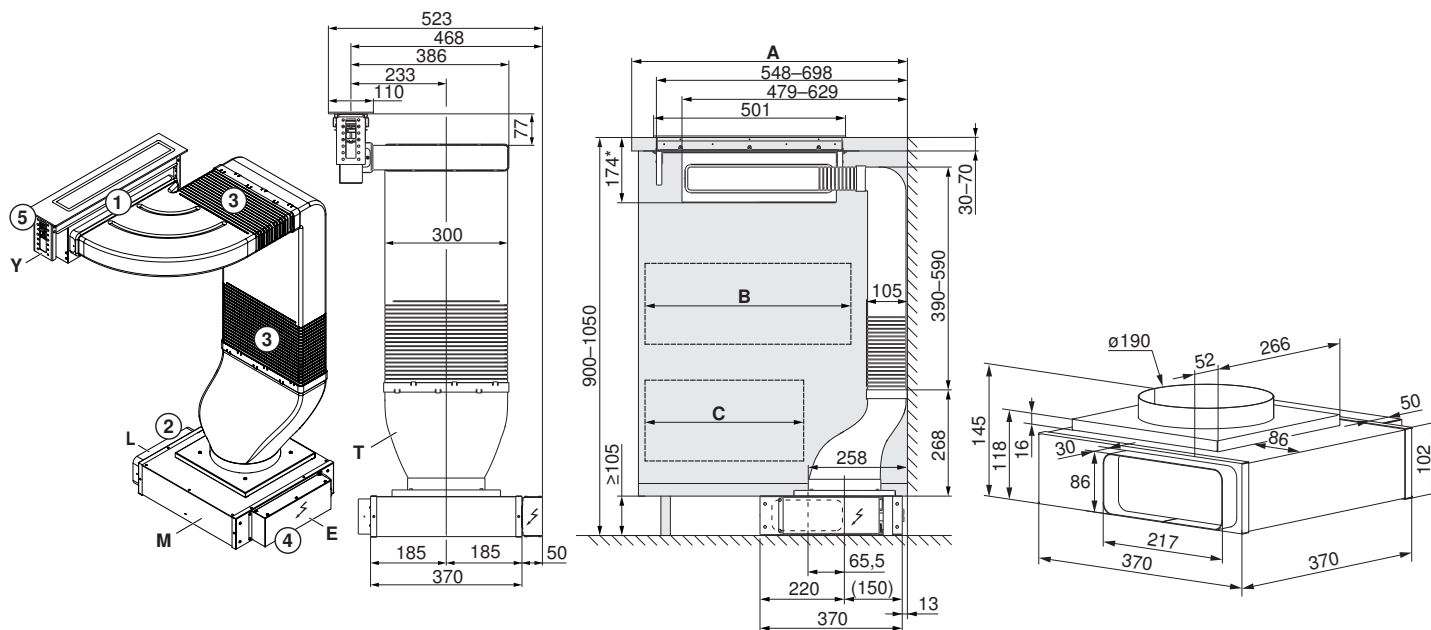


- ▶ The appliance is designed for use up to a max. altitude of 2000 m above sea level.
- ▶ Refer to the identification plate for information on the required mains voltage, current type and fuse protection.



The mains plug must not be cut off.

Dimensions



- 1 The connection between the hob hood and the exhaust air duct **T** can be to the left or right.
- 2 The ventilation outlet **L** can be fed through one of the four sides, however this can change the installation type. Standard ventilation outlet **L** is by means of flat channel or $\varnothing 150$ mm pipe.
- 3 Depending on space requirements, the position of the fan motor **M** can be adjusted by shortening the exhaust air duct **T**.
- 4 The control unit **E** can be positioned in the base if required.
- 5 Mounting angle **Y** is to be removed for flush installation (gives better accessibility to control unit).
 - Plan a removable base plate or service flap for fan motor **T** and recirculation box (for the recirculation mode).
 - For the recirculation mode, ensure sufficient ventilation so that moisture can escape. Plan in suitable material/wood.
 - Ensure that the material is sufficiently stable.
 - All plastering, plasterboarding, wall papering or painting work is to be carried out prior to installing the appliance.

* Flush installation. Surface-mounted installation: 170 mm.

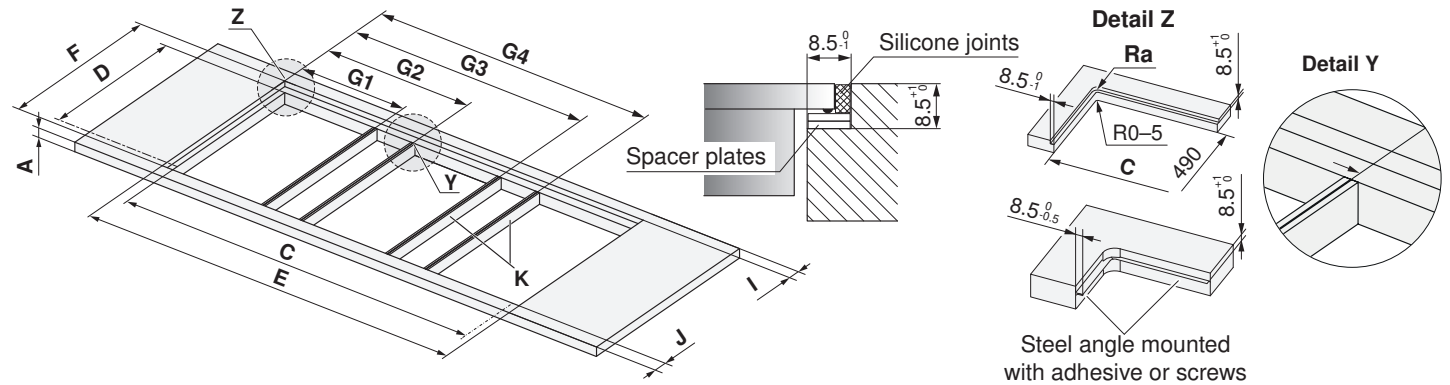
A	B	C
≥600 mm	≥400 mm	≥300 mm
≥700 mm	≥500 mm	≥400 mm
≥900 mm	≥500 mm	≤400/500 mm



Combination installation

Flush installation

Flush-mounted installation with additional intermediate supports **K** requires the accessory **intermediate support set H63789** (contains two intermediate supports). Flush-mounted combination installation is described in document 1014381.



A	F	D	I	J	Ra	K
≥30 mm	507±1 mm	490±1 mm	≥41.5 mm	≥41.5 mm	5 mm	Intermediate support

Combinations	Cut-out width E	Cut-out width C	Intermediate support position G1	Intermediate support position G2	Intermediate support position G3	Intermediate support position G4
30+11+30 cm	684 mm	667 mm	285.5 mm	398.5 mm	-	-
30+11+40 cm	787 mm	770 mm	285.5 mm	398.5 mm	-	-
40+11+40 cm	890 mm	873 mm	388.5 mm	501.5 mm	-	-
11+80+11 cm	993 mm	976 mm	114.5 mm	878.5 mm	-	-
40+11+40+11+40 cm	1390 mm	1373 mm	388.5 mm	501.5 mm	888.5 mm	1001.5 mm
40+11+60+11+40 cm	1577 mm	1560 mm	388.5 mm	501.5 mm	1075.5 mm	1188.5 mm
40+11+70+11+40 cm	1697 mm	1680 mm	388.5 mm	501.5 mm	1195.5 mm	1308.5 mm
40+11+80+11+40 cm	1767 mm	1750 mm	388.5 mm	501.5 mm	1265.5 mm	1378.5 mm

Installation



Establish the mains supply connection before inserting the appliance.

- ▶ Create an accurate installation cut-out.
 - The mounting surface can be reamed out or created by installing wood/stone supports or using the steel angle set (accessory available for order).
- ▶ Prepare the mounting cut-out and appliance according to the specifications in the cementing-in instructions J004130 and align the appliance in the mounting cut-out.
- ▶ Carefully cement the appliance in place and leave the silicone sealant to dry for at least 24 hours.

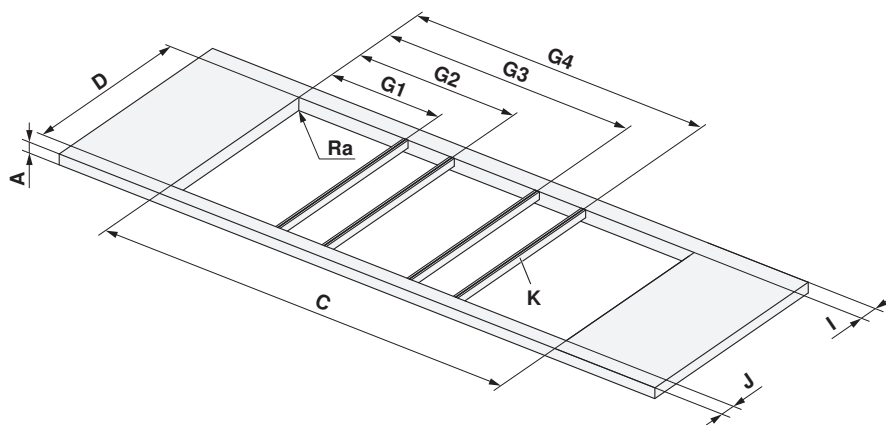


Surface-mounted installation

Surface-mounted installation requires the accessory **side strip set 1028587** and either the intermediate support **K 1019199** (black) or **1014361** (stainless steel). Articles are available for order as accessories. Surface-mounted combination installation is described in document 1013773.



A WOK glass ceramic hob cannot be surface mounted!



A	D	I	J	Ra
≥30 mm	490±1 mm	≥50 mm	≥50 mm	0–5 mm

Combinations	Cut-out width C	Intermediate support position G1	Intermediate support position G2	Intermediate support position G3	Intermediate support position G4
30+11+30 cm	667 mm	277 mm	390 mm	-	-
30+11+40 cm	770 mm	277 mm	390 mm	-	-
40+11+40 cm	873 mm	380 mm	493 mm	-	-
40+11+40+11+40 cm	1373 mm	380 mm	493 mm	880 mm	993 mm
40+11+60+11+40 cm	1560 mm	380 mm	493 mm	1067 mm	1180 mm
40+11+70+11+40 cm	1680 mm	380 mm	493 mm	1187 mm	1300 mm



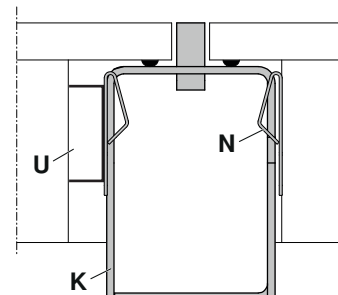
Do not damage the sealing bead. The sealing bead must lie all around the edge of worktop.

Installation



Establish the mains supply connection before inserting the appliance!

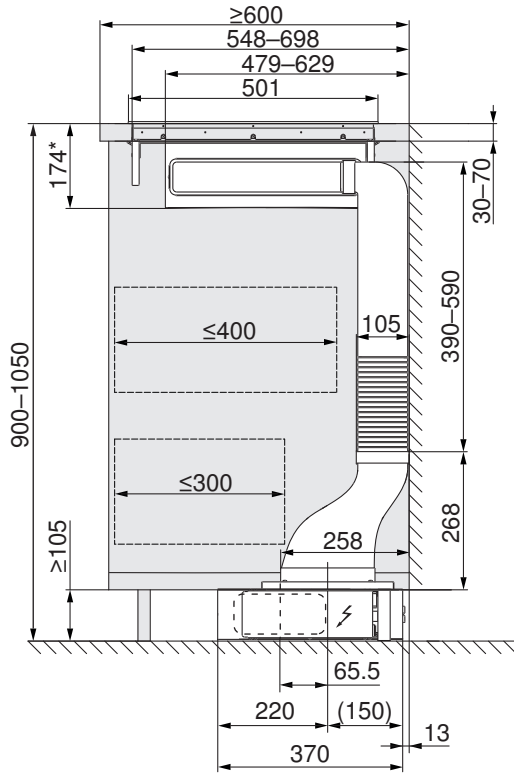
- ▶ Create an accurate installation cut-out.
- ▶ Carefully put the appliance in the installation cut-out and press against the worktop with sufficient overlap.
- ▶ Readjust the hobs if necessary so that all the front edges form a line and the centring element **N** snaps into the cut-out on the intermediate support **K**. Check this by looking at the spacer profile **U** of the intermediate support **K** from below and ensuring the centring elements project into the opening provided.



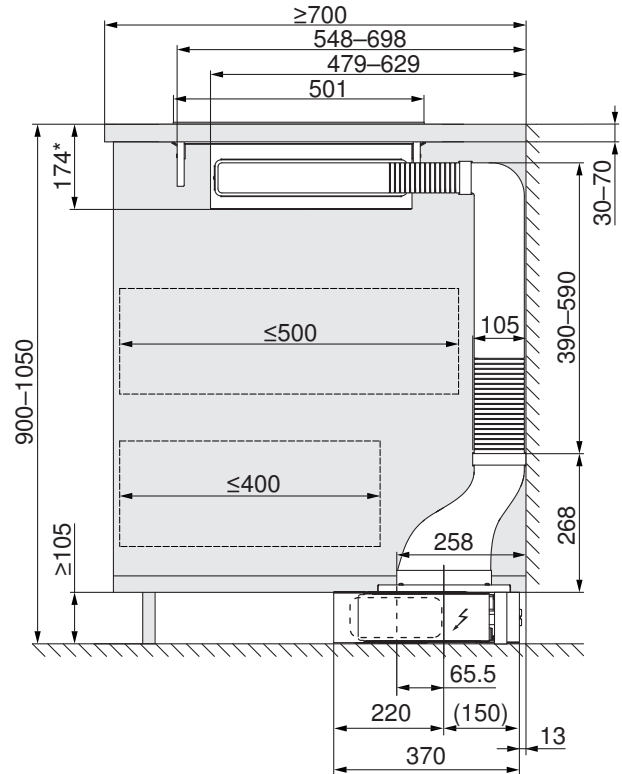


Installation overview base unit

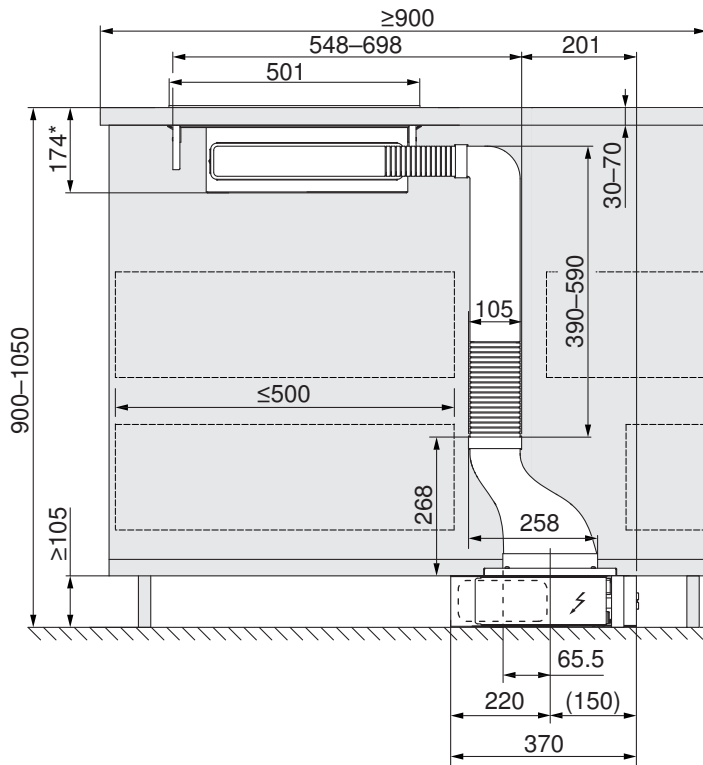
Wall installation with depth of ≥ 600 mm



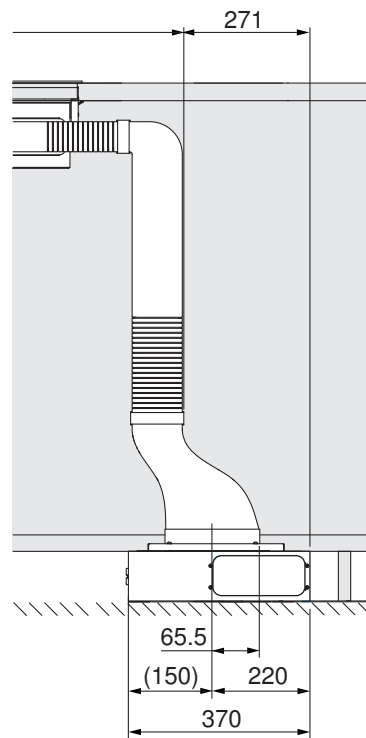
Wall/island installation with depth of ≥ 700 mm



Island installation with depth of ≥ 900 mm



Variant with rotated fan motor



* Flush installation. Surface-mounted installation: 170 mm.

Installation instructions

Range hood

Operating mode: Extraction/recirculation

DSMS



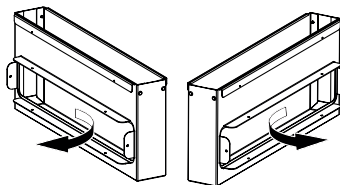
1030057-R05

22/08/2019

Installation

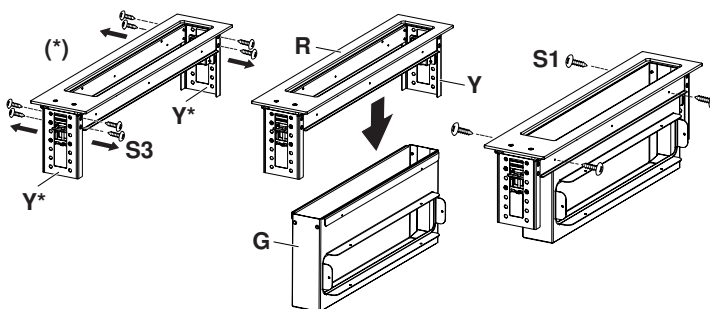


Before installation determine whether the exhaust air duct should be to the left or right.



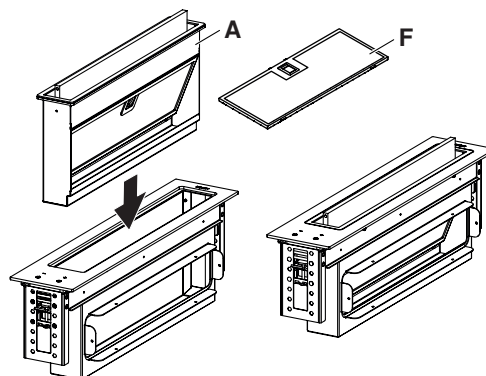
▶ (*) For flush installation only: Remove mounting angle **Y** by unscrewing the 4 screws **S3**.

▶ All installation types: Fasten frame **R** to housing **G** with 4 screws **S1**.



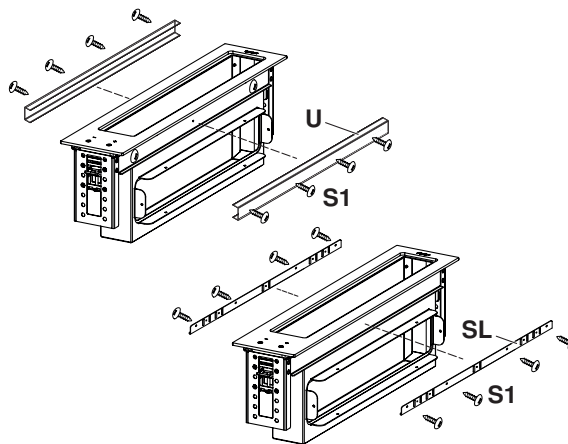
▶ Insert metal grease filter **F** from the side into collection tray **A**.

▶ Insert collection tray **A** from above into the hob hood.



Necessary only for surface-mounted installation:

▶ Attach spacer profile **U** (supplied) to side with 8 screws **S1**, then attach side strips **SL** (accessory 1028587) with 8 screws **S1**.



Installation instructions

Range hood

Operating mode: Extraction/recirculation

DSMS



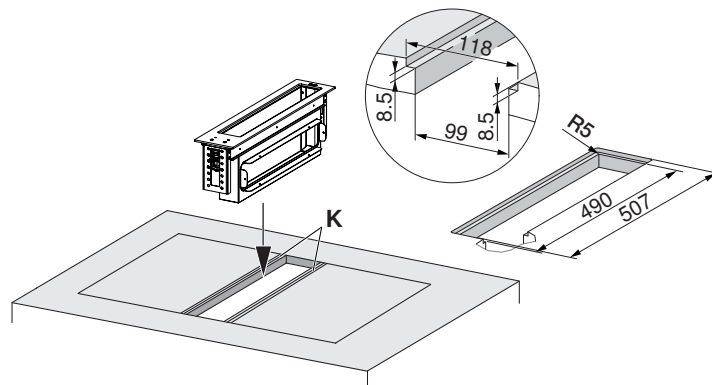
1030057-R05

22/08/2019

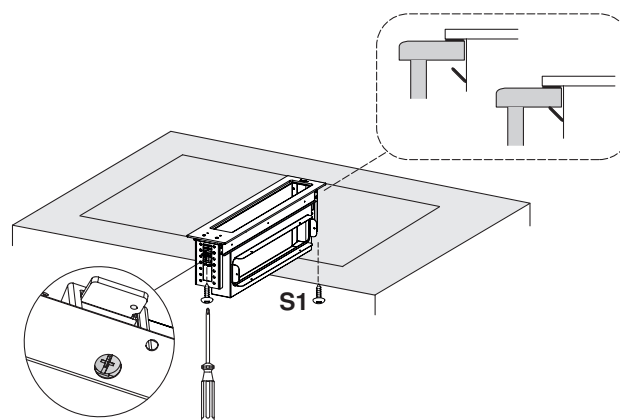


For flush installation: Prepare the cut-out according to cementing-in instructions J004130.

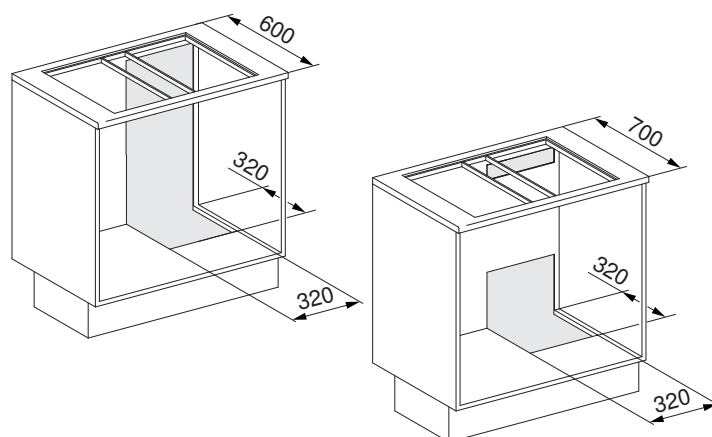
- ▶ Place the hob hood into the prepared cut-out from the top and onto the intermediate supports **K** and align.



- ▶ Optional for surface-mounted installation: Secure hob hood from below with 2 screws **S1** (assembled ex-factory), tightening to a torque of ≤ 5 Nm.



- ▶ Prepare base according to intended installation variant. Examples:



Installation instructions

Range hood

Operating mode: Extraction/recirculation

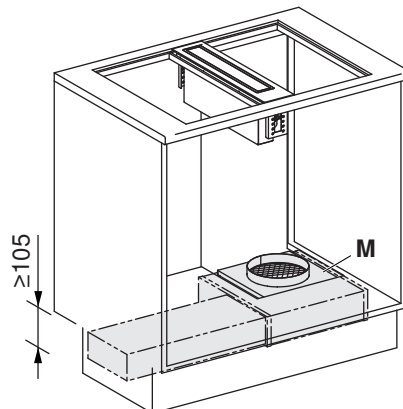
DSMS



1030057-R05

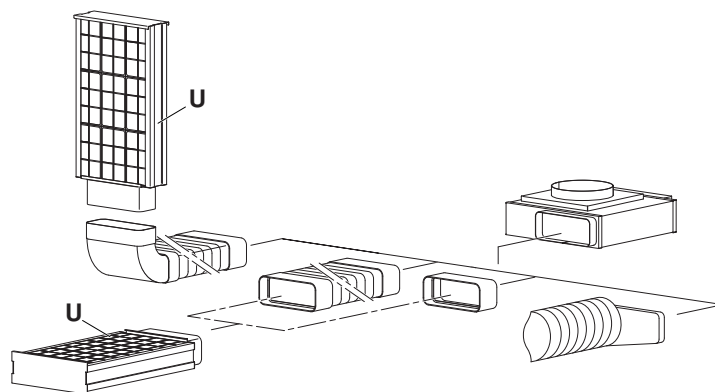
22/08/2019

- ▶ Position fan motor **M** in base according to installation type.
- ▶ For **recirculation mode**: Prepare connection for recirculation box with activated charcoal filters.
- ▶ Plan in enough space and ensure access to the recirculation box for replacing the activated charcoal filters!

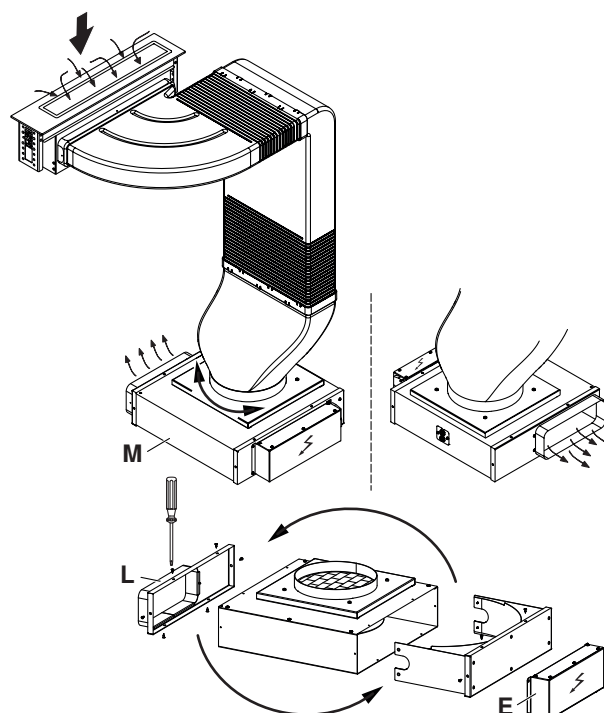


Installation type: Extraction or recirculation mode. Observe recirculation box U and flat channel system options (accessory available for order).

- ▶ The individual components required must be taken into account during planning!



- ▶ Where space is limited, the ventilation outlet **L** can be repositioned. To this end, fan motor **M** is rotated (see view above) or converted (see view below). Feed the ventilation outlet **L** through one of the four sides. The ventilation outlet **L** and control unit **E** can be switched if required.



Installation instructions

Range hood

Operating mode: Extraction/recirculation

DSMS



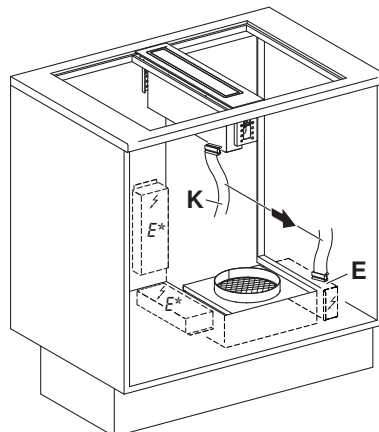
1030057-R05

22/08/2019

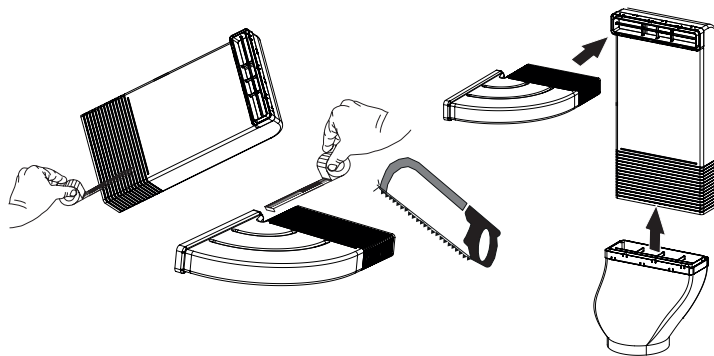


Make sure there is enough space for the ventilation outlet!

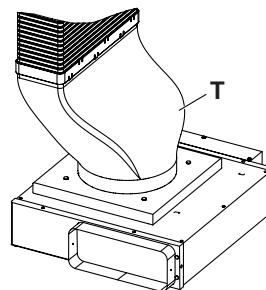
- ▶ Connect control cable **K** on the underside of the hob hood to the control unit **E**.
- ▶ Control unit **E** can be optionally* positioned away from the motor housing on a nearby wall or in the base.



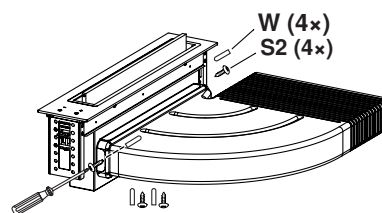
- ▶ Cut the exhaust ducting components **T** to size according to installation type and assemble using connecting elements **V**.



- ▶ Insert exhaust ducting **T** into motor housing.



- ▶ Fasten exhaust ducting **T** to hob hood with 4 screws **S2**. Attach the plastic covers **W** from the inside to screws **S2**.



Installation instructions

Range hood

Operating mode: Extraction/recirculation

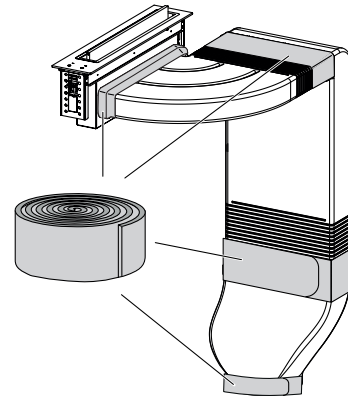
DSMS



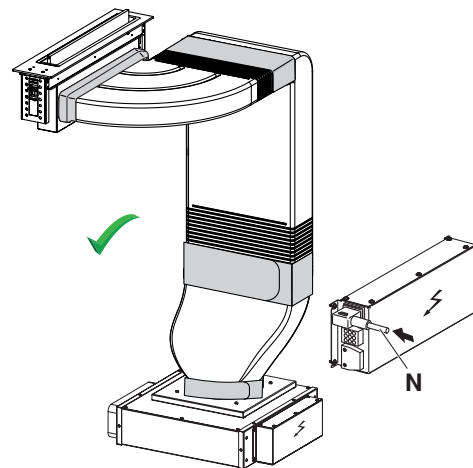
1030057-R05

22/08/2019

- ▶ All connection components must be cleaned and then completely sealed using suitable sealing tape or accessory **H42067**.



- ▶ Connect the appliance to the power supply using the mains cable **N**.
- ▶ Follow the operating instructions for using the appliance for the first time.



**Before installing the hobs and completing the installation: Carry out function check!
Check the hob hood and exhaust ducting for tightness and noise.**



For use with a gas appliance

The hob hood may only be used with the dedicated gas deflector 1031218 (accessory) with one of the gas appliances listed below. Operating the hob hood without the gas deflector is not permitted!

Permitted gas appliances for use with the hob hood:
V-ZUG gas hob type: **GAS321x, GAS421x, GAS641x**, observing the permitted combination installation variants.

Combining the hob hood with two gas hobs is not permitted!

Using another gas appliance type/model or manufacturer is not permitted and can cause lasting damage to the hob hood.

Failure to observe the above instruction can cause lasting bodily harm and lasting damage to property and the appliance. In such a case, any and all liability, guarantee and goodwill claims will be rejected, now and in the future!

Burns hazard!
The appliance and surrounding components get hot during operation! Allow the fan flap, gas deflector and other components to cool down before touching them.

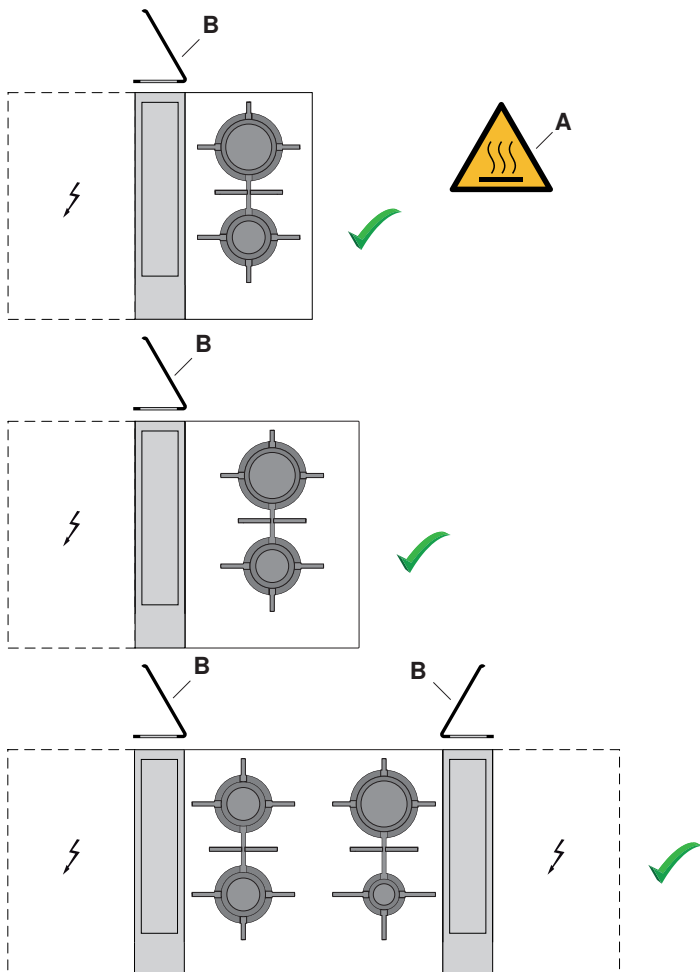
Fire hazard!
Grease deposits can build up in the grease filter and catch fire. Clean the grease filter regularly. Only operate the appliance with the gas deflector.

Permitted installation variants (V-ZUG gas hob only)

As a variant may also be installed on either side of the appliance.

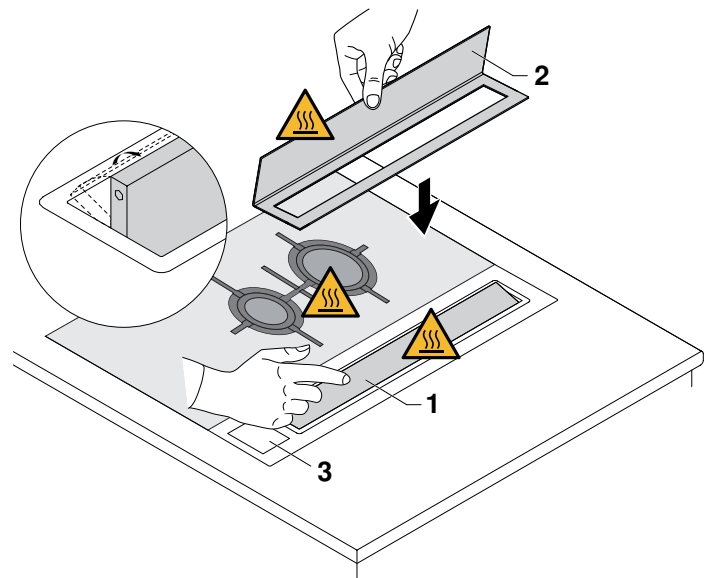
A Caution: Hot surface!

B Gas deflector correctly mounted.



The gas deflector 1031218 (required accessory) reduces the deflection/disturbance of the gas flame at the burner and prevents it being extinguished by a draft.

- ▶ Open fan flap **1**.
- ▶ Set the gas deflector **2** in the correct position relative to the gas appliance.
- ▶ Switch on hob hood **3**.



Installation instructions

Range hood

Operating mode: Extraction/recirculation

DSMS



1030057-R05

22/08/2019

Extraction mode

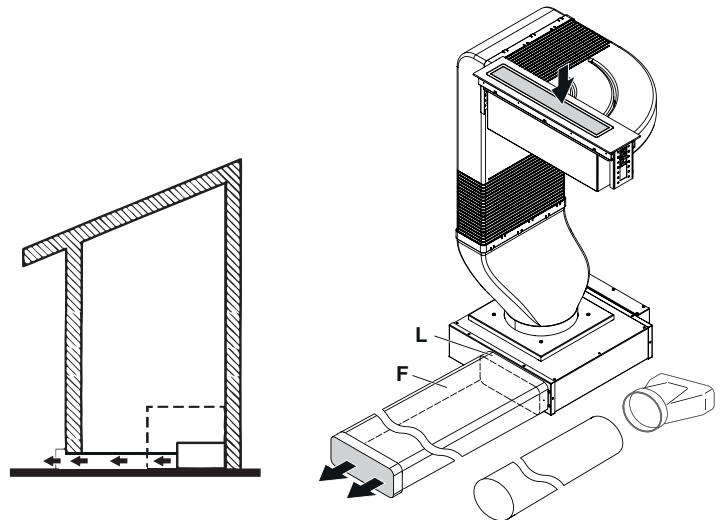


There is a danger of toxic fumes developing if the range hood is operated at the same time as an ambient air-dependent firing system!



The conversion kits and suitable flat channel systems are available for order as accessories.

- ▶ Fasten and seal flat channel **F** to ventilation outlet **L**.

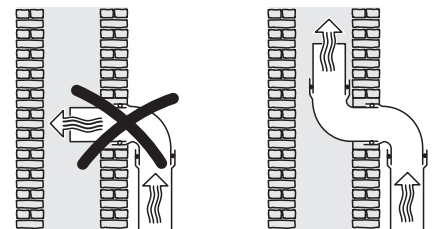


- Only use pipes with a smooth inner surface or flexible duct hoses made from non-flammable materials for exhaust ductwork.
- To achieve the greatest possible air extraction with the lowest noise levels, please observe the following:
 - Standard ventilation outlet is by means of flat channel or pipe.
 - The diameter of the exhaust duct pipe must not be less than $\varnothing 150$ mm.
 - The exhaust ducting should be as short and straight as possible.
 - Only use connection elbows with large radii.
 - The exhaust ducting must not be kinked or compressed.
 - Make sure that all connections are secure and airtight.



Any constriction of the airflow will reduce extraction performance and increase operating noise.

- If the exhaust duct is to be routed outdoors, we recommend installing a telescopic wall box (accessory available for order).
- If the exhaust air is to be ducted into a chimney flue, the intake piece must be aligned with the flow direction of the flue.



- If the exhaust duct runs through cool rooms, lofts, etc., there may be sharp variations in temperature in individual areas. Vapour and condensation is to be expected. This makes it therefore necessary to insulate the exhaust ducting / air duct.

Installation instructions

Range hood

Operating mode: Extraction/recirculation

DSMS



1030057-R05

22/08/2019

Recirculation mode



Conversion kits and suitable flat channel systems are available for order as accessories.

For recirculation mode with recirculation box, ensure access for maintenance purposes and also ensure the blow-out opening is at least 500 cm² (e.g. base recess or lamella base).

If an exhaust air connection is not structurally possible, the range hood must be set up for recirculation operation. There is the following possibility to do this:

Recirculation mode with recirculation box

- ▶ Connect the recirculation box **U** to the ventilation outlet **L**.

The activated charcoal filters are integrated in the recirculation box **1012161**. Activated charcoal filters are not used in the range hood. For accessories, see the planning aid.

