

Installation instructions

Built-in variants of gas hob







Multi-slider

Slider GAS411/421/951



1058595-R01

09/05/2019

-  **The appliance must be installed by qualified personnel only. Each step must be carried out and checked in full in the order specified.**
-  **Check that the local connection conditions (gas type and gas pressure) and the appliance setting match before connecting the appliance.**
-  **The default values for this appliance are provided on the information plate (or on the identification plate).**
-  **This appliance is not connected to a combustion by-product outlet. It must be set up and connected according to the applicable installation conditions. Particular attention must be paid to the relevant ventilation requirements.**
-  **If installing into a combustible material, the guidelines and standards for low voltage installations and fire protection must be strictly observed.**
-  **All gas tightness tests should be performed with a soap solution. Never use a naked flame to test for leaks!**

Validity

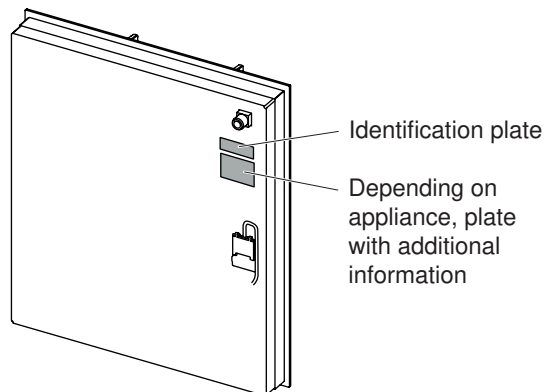
These installation instructions apply to the following models:

Model number	Type	Appliance class
31063	GAS411GSBZ	Class 3 DIN EN 30-1-1
31064	GAS421GSBZ	
31072	GAS951GSBZ	

General notes

Identification plate

The identification plate is located on the underside of the hob.



- ▶ Affix the second identification plate (supplied) in an accessible position behind the front of the fitted cabinet beneath the appliance.

Care and maintenance

- ▶ Follow the care and cleaning advice in the operating instructions.
- ▶ Follow the basic maintenance advice in the operating instructions.

Installation instructions

Built-in variants of gas hob

Multi-slider

Slider GAS411/421/951



1058595-R01

09/05/2019

Installation accessories provided

For all installation variants:

Designation	Art. no.
4 adjusting braces	H61561
Sealing ring gas connection 18 × 13 × 1.5 mm	H64006

Flush installation:

Designation	Art. no.
Cementing-in instructions	J004133
Sealing strip set	H63283
Spacer set	H60330

Accessories

Surface-mounted installation:

Designation	Article no.
Stainless steel intermediate support for the surface-mounted combination of several hobs	1014361
Black intermediate support for the surface-mounted combination of several hobs	1019199

Flush installation:

Designation	Art. no.
Steel angle set, hob size: 40	H63771
Steel angle set, hob size: 90	H63775

Designation	Art. no.
Instant adhesive for installation of the steel angle (50 ml)	B11657
Straight mixing nozzle	B11656
TREMCLEAN isopropyl alcohol (1000 ml)	1056609
Black silicone FA880 (310 ml)	B11555
Anthracite silicone FA880 (310 ml)	B11556
White silicone FA880 (310 ml)	1031313
Stone grey silicone FA880 (310 ml)	1031314
Marble smoothing agent AA320 (1000 ml)	B11557
Fugenboy (silicone finishing tool)	B75158
Intermediate support kit for the flush-mounted combination of several hobs (contains two intermediate supports)	H63789

Gas connection

Designation	Art. no.
Sealing ring for gas connection 18 × 13 × 5 mm, for long thread.	1030096
Connection piece	1018122

Installation instructions

Built-in variants of gas hob

Multi-slider

Slider GAS411/421/951

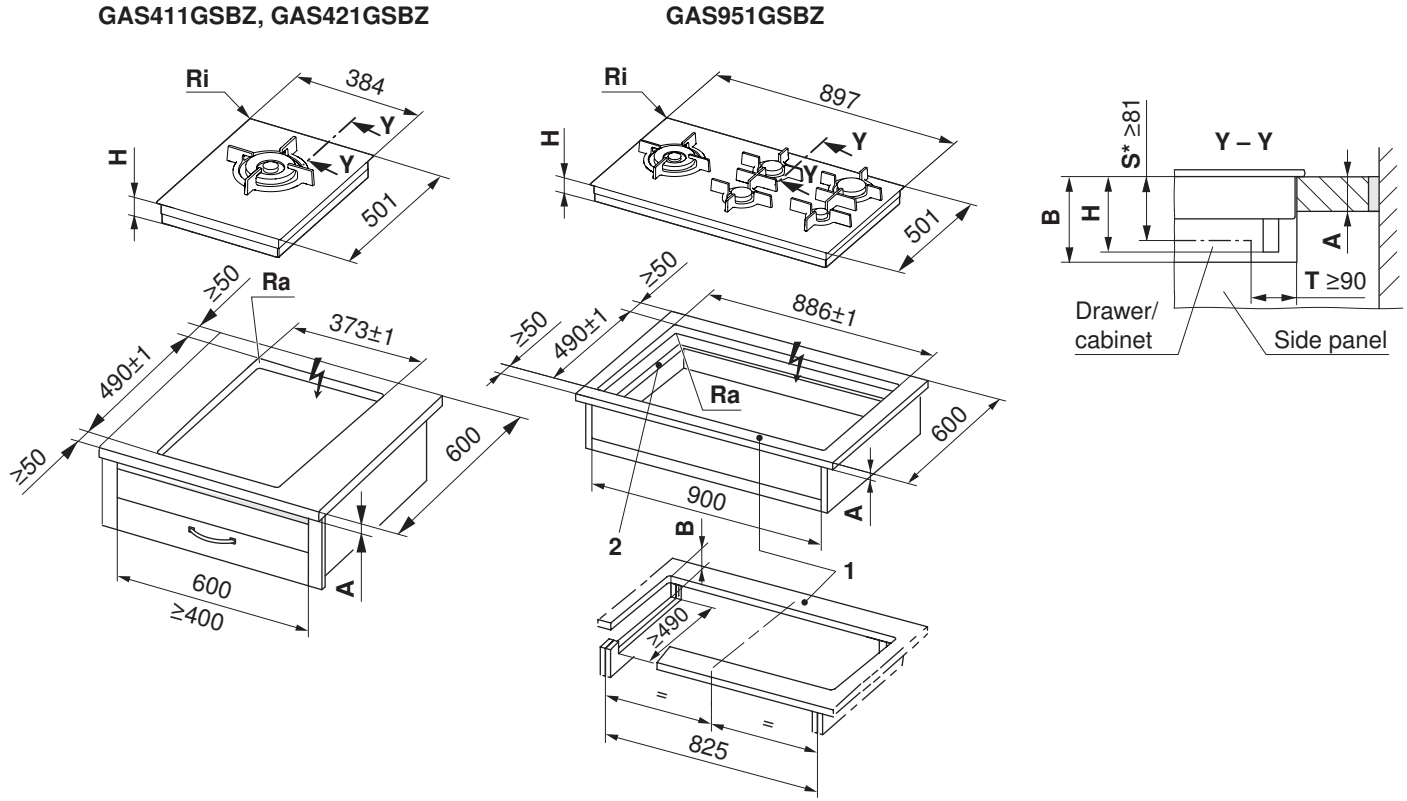


1058595-R01

09/05/2019

Surface-mounted installation

The layout of the hob to be fitted may differ from the hob illustrated!



* The required clearance must be observed!

Type	A Depends on producer	B	H	Corner radius Ra/Ri
GAS411GSBZ, GAS421GSBZ, GAS951GSBZ	≥30 mm	≥95 mm	94 mm	0–5/1.5 mm

- A** Worktop depth **B** Required clearance for service replacement
- H** Dimension from the top of the work surface to the underside of the gas connection
- Ri** Corner radii of appliance for base plate **Ra** Outer corner radii of cut-out
- S** Minimum distance between the top of the work surfaces and any drawer
- T** Minimum distance between the cut-out in the back and any drawer
- 1** Front and rear struts may be reinforced on the underside. The strut width is determined by the producer of the stone worktop. The minimum strut width can vary according to the property of the stone.
- 2** For niche width 900 mm, cut-outs in side walls left/right are necessary for servicing work where the appliance base must be removed from below.

Installation



Do not damage the sealing bead.
The sealing bead must lie all around the edge of worktop.

- ▶ Create an accurate installation cut-out.
- ▶ Carefully put the appliance in the installation cut-out and press against the worktop with sufficient overlap.
- ▶ Fit the four adjusting braces along the circumference of the appliance to the bore holes provided and tension the appliance against the worktop.

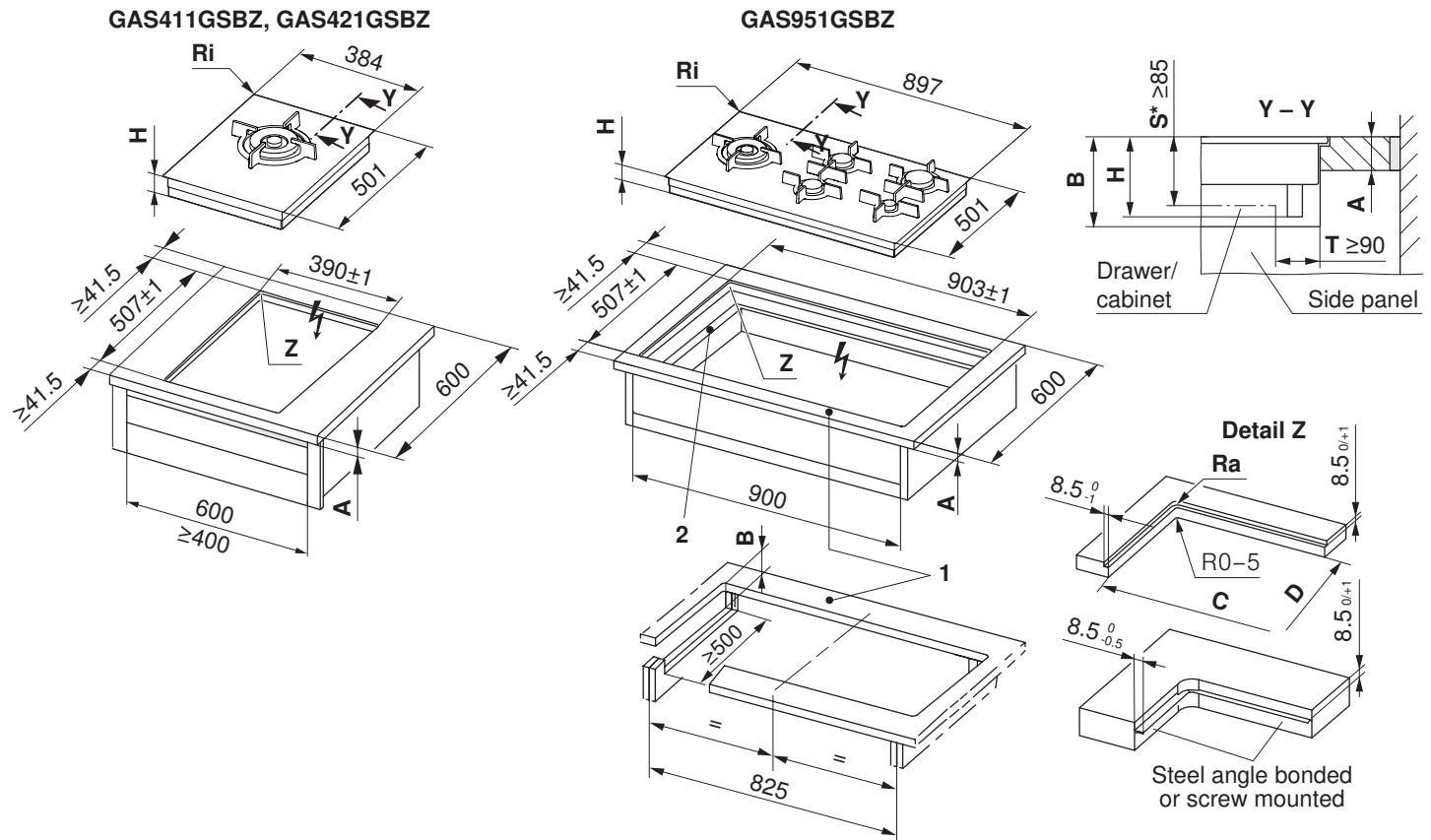
Combination installation

Surface-mounted combination installation is described in document 1013773. The intermediate support 1014361 or 1019199 is required for this.



Flush installation

The layout of the hob to be fitted may differ from the hob illustrated!



* The required clearance must be observed!

Type	A Depends on producer	B	H	Corner radius Ra/Ri	C/D
GAS411GSBZ, GAS421GSBZ	≥30 mm	≥175 mm	98 mm	5/1.5 mm	373/490 mm
GAS951GSBZ					886/490 mm

- A** Worktop depth
- B** Required clearance for service replacement
- H** Dimension from the top of the work surface to the underside of the gas connection
- Ri** Corner radii of appliance for base plate
- Ra** Outer corner radii of cut-out
- S** Minimum distance between the top of the work surfaces and any drawer
- T** Minimum distance between the cut-out in the back and any drawer
- 1** Front and rear struts may be reinforced on the underside. The strut width is determined by the producer of the stone worktop. The minimum strut width can vary according to the property of the stone.
- 2** For niche width 900 mm, cut-outs in side walls left/right are necessary for servicing work where the appliance base must be removed from below.

Installation

- ▶ Create an accurate installation cut-out.
 - The mounting surface can be reamed out or created by installing wood/stone supports or using the steel angle set (see Accessories).

Access to the appliance from below via the entire cut-out area must be guaranteed. For servicing purposes, the appliance base can be removed from below.

- ▶ Prepare the cut-out and appliance according to the specifications in the enclosed cementing-in instructions and align the appliance in the cut-out.
- ▶ Fit the four adjusting braces along the circumference of the appliance to the bore holes provided and tension the appliance against the worktop.
- ▶ Carefully cement the appliance in and leave the silicone sealant to dry for at least 24 hours.

Installation instructions

Built-in variants of gas hob

Multi-slider

Slider GAS411/421/951



1058595-R01

09/05/2019

- ▶ Connect to the electrical mains connection before inserting the appliance, if necessary.

Combination installation

Flush-mounted combination installation is described in document 1014381. The intermediate support kit H63789 is required for this.

Electrical connection

 **Electrical connections must be carried out by qualified personnel in accordance with the guidelines and standards for low-voltage installations and the specifications of the local electricity supply companies.**

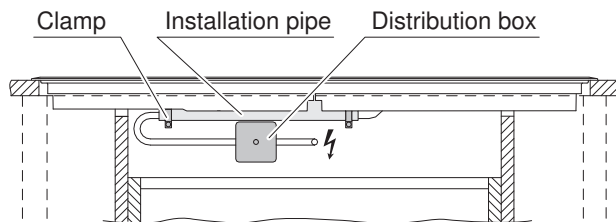
A plug-in appliance may only be connected to a socket outlet with earthing contact, installed according to specifications. An all-pole mains isolating device with 3 mm contact opening should be provided in the house wiring system. Switches, plug and socket devices, circuit breakers and fusible cut-outs which are accessible after installation and which have all-poles switching are permissible as isolating devices. Effective earthing and separately installed neutral and earth conductors ensure safe and fault-free operation. After installation, live parts and cables with basic insulation must not be accessible. Check old installations.

- ▶ Refer to the identification plate for information on the required mains voltage, current type and fuse protection.

The connection cable has either a plug or three stranded wires.

Plug-in appliances must be connected to an easily accessible power socket.

Appliances with stranded wires must be connected by a qualified electrician via a junction box according to local regulations.



The mains plug must not be cut off.

Error message U400



Incorrect connection:

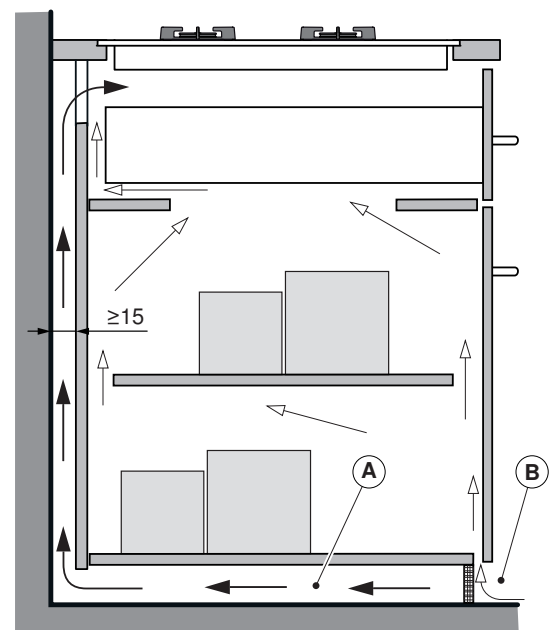
Pole conductor connected to connection terminal for neutral conductor or voltage too high.

- ▶ Quickly disconnect the appliance from the mains!

Ventilation

In order to guarantee minimum ventilation, a space of ≥ 20 mm height is necessary beneath the appliance.

- A** The rear panel of the base unit must be open around the work surface cut-out to guarantee continuous air circulation via the ventilation slits. The air must be drawn in from outside the cabinet and be able to circulate freely from inside the cabinet to the hob.
- B** Alternatively, a concealed fresh air supply can ensure air circulation inside the cabinet. So that enough cold air can be drawn in, there must be a continuous supply of fresh air circulating till outside the cabinet. The air must be drawn in from outside the cabinet and be able to circulate freely from inside the cabinet to the hob.



Installation instructions

Built-in variants of gas hob

Multi-slider


Slider GAS411/421/951

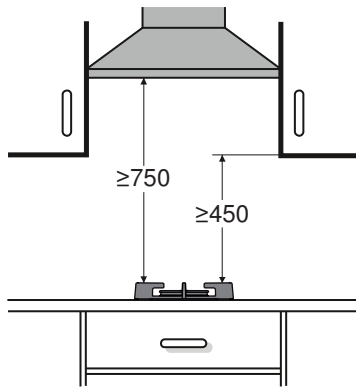


1058595-R01

09/05/2019

Minimum distances and installation conditions


-  The distance from the appliance cut-out to the back wall must be ≥ 50 mm and to the side walls ≥ 200 mm. Parts such as side walls and reinforcing strips which protrude into the installation space under the cooking zone must be made of fire-resistant material.
- The distance between the underside of the appliance tray and any part of the cabinet beneath that is made of combustible material must be ≥ 20 mm.

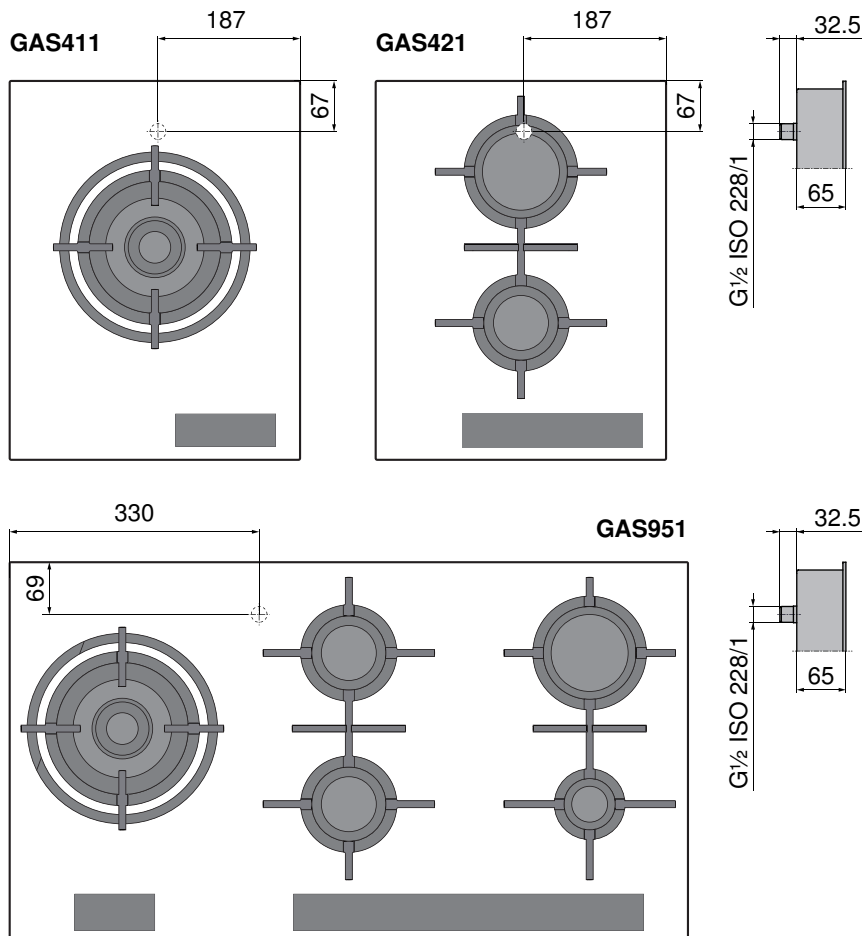


When a range hood is installed above the gas hob, the minimum distance given for the particular range hood must be observed. Furthermore, the minimum distances illustrated must be strictly complied with if a lower value is stated for the range hood.

- The worktop must be flat in order that it is sufficiently sealed against the ingress of liquids.
 - In order to guarantee good ventilation, a space of at least 20 mm in height is necessary beneath the appliance.
- If the hobs are used at an altitude of over 2,000 meters above sea level, a reduced performance must be expected.

Gas connection

-  The gas connection and the conversion to another gas type must be carried out by an authorized installer.



Installation instructions

Built-in variants of gas hob

Multi-slider

Slider GAS411/421/951



1058595-R01

09/05/2019

- ▶ The gas connection must be positioned so that the stop-cock and the supply connection point are accessible with the appliance installed.
- ▶ The gas connection must be positioned so that it does not get detrimentally hot during operation. In particular, the gas hose assemblies and the appliance's connection fittings must be clear of hot exhaust gases (e.g. from an oven).
- ▶ It must be ensured that the gas hose and the mains connection do not touch any hot parts of the appliance, otherwise the gas hose and the mains cable could become damaged through heat.
- ▶ A flexible connection lead (max. length 1.5 m) must be positioned so that it runs freely and does not come into contact with any movable parts of the kitchen cabinets (e.g. a drawer).
- ▶ No external pressure reducer is required for town gas if the connection pressure corresponds to the details on the identification plate.

Gas type	Test gas	Connection pressure	Remarks
Singapore town gas	G110	10 mbar	
Singapore liquid gas	G30/31	29 mbar	

1/2-inch metric thread

The gas connection on the appliance has a 1/2-inch external thread in accordance with ISO 228/1. If the gas installation on site already has a corresponding counterpart, the gas appliance can be directly connected to it.

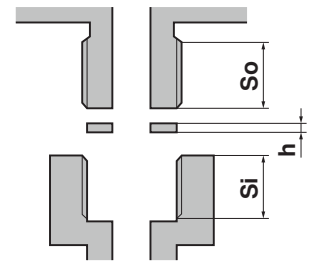


It is imperative to use the sealing ring for the front-end seal!

Thread length

The thread length of the gas connection on the appliance (external thread) **So** is 12 mm. If the thread length of the on-site counterpart (internal thread) **Si** is longer than 13 mm, the front-end seal is no longer guaranteed through the supplied green sealing ring H64006 with a height of 1.5 mm.

In this case, the yellow sealing ring 1030096 with a height **h** of 5 mm is to be used as it provides a leak tight connection for on-site thread lengths of up to 16.5 mm.



1/2-inch conical thread

If the gas connection has a conical thread, the transition piece and sealing ring must first be screwed onto the appliance. The transition piece has a conical external thread R 1/2-inch in accordance with ISO 7/11. In the case of a conical screw connection, the thread makes the seal, which is why the thread must be sealed with hemp or Teflon tape.



After the gas has been connected, leak and function testing must be carried out by a registered gas fitter.

Changes to the service menu

Changes to the service menu can only be made within 1 minute of applying the voltage. If the appliance has already been connected for a longer period, interrupt the power supply for about 10 seconds.

- ▶ With the hob switched off, hold the and buttons depressed at the same time for 4 seconds.
 - An acoustic signal is emitted.
- ▶ Hold both sliders **0 · · 9** to the left of the button depressed at the same time for 4 seconds.
 - An acoustic signal is emitted.



For appliance GAS411, simply press the single slider **0 · · 9.**

- ▶ Use the button to select the next highest and the button the next lowest user setting.
 - The current service menu item is shown in the timer display.

Installation instructions

Built-in variants of gas hob

Multi-slider

Slider GAS411/421/951



1058595-R01

09/05/2019

The current value under the corresponding menu item is displayed above the first active slide to the left of the button. Use the first active slider to the left of the button to change the values. The left half of the slider functions as the minus button and the right half functions as the plus button.

Menu item	Function	Default setting	Setting	Description
CF6	Set gas type	Depending on article	2	G110, 10 mbar
			9	G30/31, 29 mbar
UEr	Software version number of touch control			The current software version is displayed: U-x-x-x.
URr	Software variant number of touch control			The current software variant is displayed: P-x-x-x.
888	Display text			All displays illuminate.
-0-	Demo mode	0	0	The demo mode is switched off.
			1	The demo mode is switched on.

- ▶ To save entries: Hold the and buttons depressed at the same time for 2 seconds.
 - An acoustic signal is emitted.
 - The «Service menu» mode is ended.

Cancelling user settings

- ▶ Press the button.
 - Any changes made to the default values are not saved.
 - The «Service menu» mode is ended.

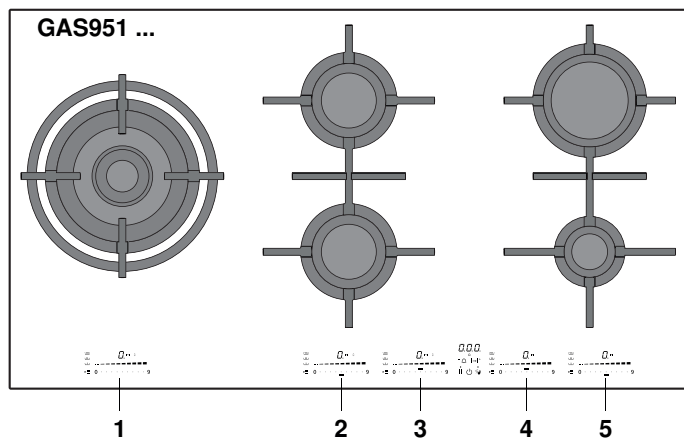
Error Er 47

- ▶ Applies to both types listed in the table.



If error Er 47 appears in the display, communication to the slider control is not working correctly.

Under menu item **CF6**, set the correct setting values as indicated in the table below.



Type	Slider 1	Slider 2	Slider 3	Slider 4	Slider 5
GAS951 ...	1	Gas configuration	-	0	-

Installation instructions

Built-in variants of gas hob

Multi-slider

Slider GAS411/421/951



1058595-R01

09/05/2019

Conversion to another gas type

The appliance is set up for a certain gas type, which is also recorded on the identification plate. The appliance can be converted to another type of gas using the nozzle set supplied (others available as accessories). To this end, the injector nozzles in the burner must be changed and the corresponding gas type must be selected from the service menu.

All the nozzles are numbered to avoid any mix-up.

Always disconnect the appliance from the electricity and gas mains before changing the nozzles.

Changing the injector nozzles

- ▶ Remove the pan supports and burners.
- ▶ It is also necessary to remove the nozzle cover flap if the hob has a wok burner.
- ▶ Remove central injector nozzles (using 7 mm socket wrench).
Town gas nozzles: With a flat object e.g. screw driver.
- ▶ Remove horizontal injector nozzles in the wok burner using an open-end wrench.
Town gas nozzles: First unscrew the sleeve from the nozzle.
- ▶ Screw in the new injector nozzles (according to the table) as far as they will go.
Town gas nozzles for wok: Screw sleeves, if any, over external thread of the nozzles.
- ▶ It is necessary to put back the nozzle cover flap if the hob has a wok burner.
- ▶ Put back the burners and pan supports.
- ▶ Reconnect the appliance to the electricity and gas mains.

Changing the gas characteristics

- ▶ Access the service menu (see previous section).
- ▶ Select the desired gas characteristics under item **CFE** and save.

For the appliance, the following gas types are available:

Gas type	Test gas	Connection pressure	Setting in the menu CFE	Injector nozzles (ø in hundredths of a mm)			
				Standard burner	Rapid burner	Wok burner	
						Inside	Outside
Singapore town gas	G110	10 mbar	2	192	300	130	2 × 300
Singapore liquid gas	G30/31	29 mbar	9	66	85	46	2 × 80

Affixing the gas sticker

After conversion to another gas type, the sticker supplied with the nozzle set must be affixed in the appropriate place on the identification plate.



The appliance must be tested for leak tightness before using for the first time.