

## Installation instructions

Induction hob  
GK26TIMSZ | GK27TIMSZ

1021083-R01

29/11/2016



 **The appliance should be installed by qualified personnel only. Each step must be carried out and checked in full in the order specified.**

### Validity

These installation instructions are valid for the following models:

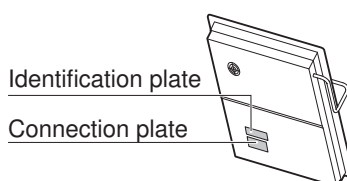
Product family	With dual design
31084	GK26TIMSZ
31085	GK27TIMSZ

### General notes

 **The directives and standards for low-voltage installations and fire protection must be complied with when installing in flammable material.**

### Identification plate

The identification plate is located next to the connection plate.



- ▶ Affix the second identification plate (supplied) in an accessible position behind the front of the fitted cabinet beneath the appliance.

### Installation accessories supplied

#### Flush installation:

Designation	Art. No.
Cementing-in instructions	J004133
Sealing tape set	H63283
Spacer set	H60330

### Accessories

#### For all installation variants:

Designation	Art. No.
Ventilation protective plate set for niche width 550 mm	H61082
Ventilation protective plate set for niche width 600 mm	H61083

#### Overlying installation:

Designation	Art. No.
Stainless-steel bridge for the overlying combination of various hobs	1014361
Black bridge for the overlying combination of various hobs	1019199

#### Flush installation:

Designation	Art. No.
Steel angle set, installation dimension 30	H63770
Steel angle set, installation dimension 40	H63771
Instant adhesive for installing the steel angle Permabond F246 incl. activator, 50 ml tube. From Silitech AG, 3008 Bern.	B11502
Sealant set Complete with cleaning agent, primer type 1105, cartridge with black silicone adhesive, with nozzle. Suitable for all absorbent covering materials (wood and types of natural stone such as marble and granite).	86.3928.85



Special primer type 107 Suitable for non-absorbent covering materials (not suitable for polyethylene, polypropylene or Teflon).	45.2771.76
Bridge set for the flush combination of various hobs (comprises two bridges)	H63789

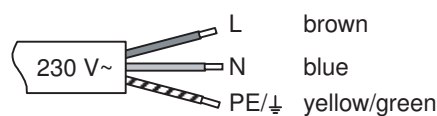
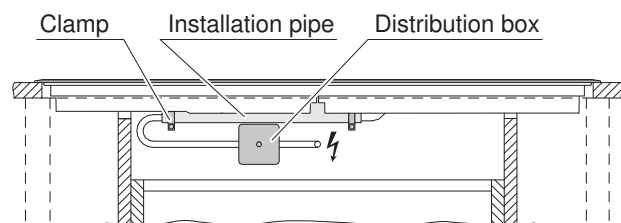
**Electrical connection**

**! Electrical connections must be carried out by qualified personnel in accordance with the guidelines and standards for low-voltage installations and the specifications of the local electricity supply companies.**

A plug-in appliance may only be connected to a socket outlet with earthing contact, installed according to specifications. An all-pole mains isolating device with 3 mm contact opening should be provided in the house wiring system. Switches, plug and socket devices, circuit breakers and fusible cut-outs which are accessible after installation and which have all-poles switching are permissible as isolating devices. Effective earthing and separately installed neutral and earth conductors ensure safe and fault-free operation. After installation, live parts and cables with basic insulation must not be accessible. Check old installations.

- ▶ The appliance is designed for use up to a max. altitude of 2000 m above sea level.
- ▶ Refer to the identification plate for information on the required mains voltage, current type and fuse protection.

The appliance is equipped with a connection box which must be connected to an on-site junction box.



**Error message U400**

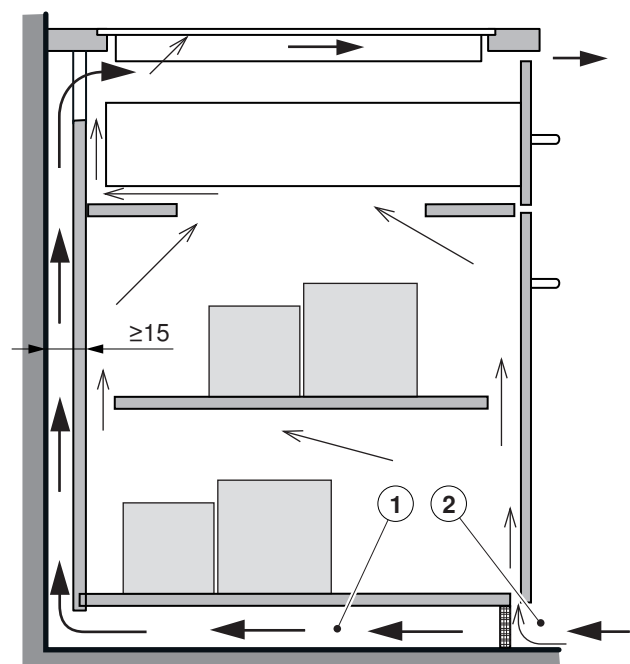
**! Faulty connection: A pole conductor has been connected to the connection terminal for neutral conductors.**

Quickly disconnect the appliance from the mains!

**Ventilation**

In order to guarantee good ventilation, a space of  $\geq 10$  mm height is necessary beneath the appliance.

1. The rear panel of the base unit must be open around the work surface cut-out to guarantee continuous air circulation via the ventilation slits. The air must be drawn in from outside the cabinet and be able to circulate freely from inside the cabinet to the hob.
2. Alternatively, a concealed fresh air supply can ensure air circulation inside the cabinet. In order that enough cold air can be drawn in, there must be a continuous circulation of fresh air that extends outside the cabinet. The air must be drawn in from outside the cabinet and be able to circulate freely from inside the cabinet to the hob.



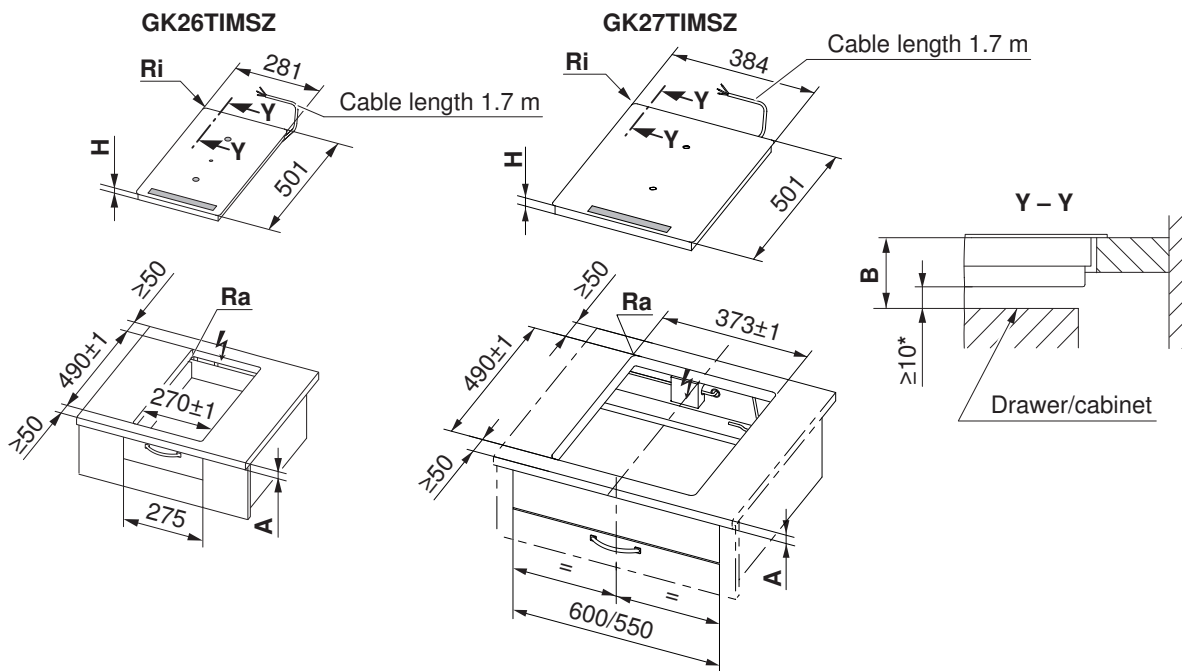


### General information about installation

- The worktop must be flat so that it is sufficiently sealed against the ingress of liquids.
- In order to guarantee good ventilation, a space of at least 10 mm in height is necessary beneath the appliance.
- A cabinet unit with a width of at least 275 mm is recommended for the base unit.

### Overlying installation

The cooking ring layout of the hob to be fitted can differ from the hob illustrated.



\* The clearance space must be maintained.

Type	A – loosely based on manufacturer	B	H	Corner radius Ra/Ri
GK26TIMSZ, GK27TIMSZ	≥30 mm	≥61.7 mm	51.7 mm	5/1.5 mm

**A** Worktop depth (in combination with directly built-under oven)

**B** Required clearance in the service exchange

**H** Measurement from the top side of the worktop to the underside of the hob (ventilation opening)

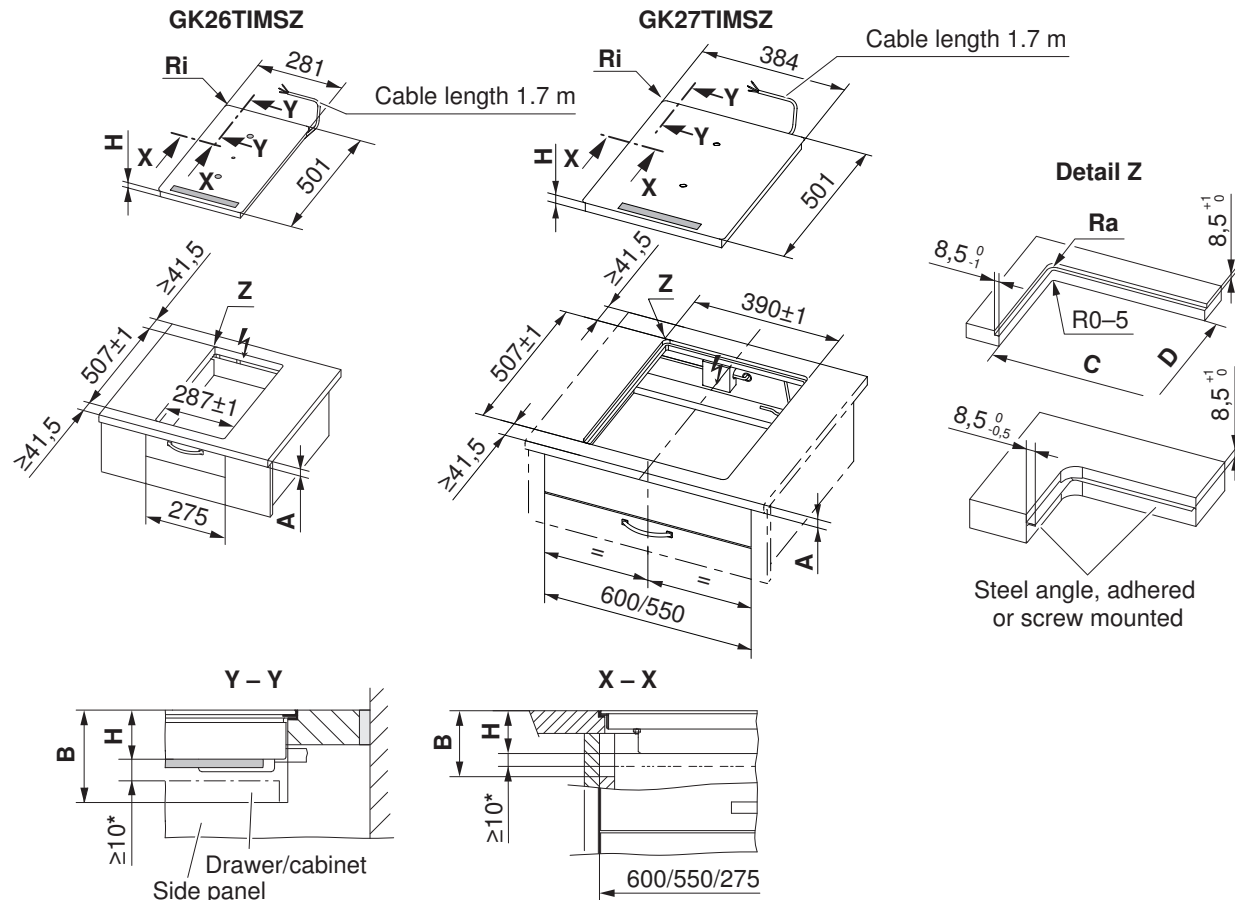
**Ri** Appliance corner radii

**Ra** External corner radii of the cut-out



**Flush installation**

The cooking ring layout of the hob to be fitted can differ from the hob illustrated.



\* The clearance space must be maintained.

Type	A – loosely based on manufacturer	B	C/D	H	Corner radius Ra/Ri
GK26TIMSZ	≥30 mm	≥75 mm	270/490	51.7 mm	5/1.5 mm
GK27TIMSZ			373/490		

- A** Worktop depth (in combination with directly built-under oven)
- B** Required clearance in the service exchange
- H** Measurement from the top side of the worktop to the underside of the hob (ventilation opening)
- Ri** Appliance corner radii
- Ra** External corner radii of the cut-out

**Installation**

1. Create the mounting cut-out accurately.
  - The mounting surface can be recessed by installing wood or stone bars or produced using the steel angle set (see Accessories).

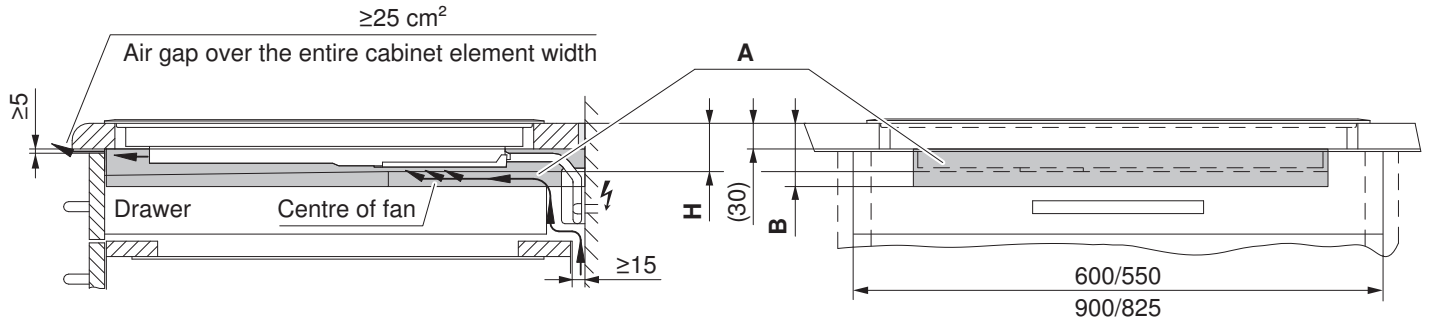
Access to the appliance from below must be guaranteed over the entire cut-out surface. For servicing, the induction generator with the mounting plate can be removed from below. It must be possible to unscrew the contact-proof covers from below.

2. Prepare the cut-out and appliance in accordance with the specifications in the enclosed cementing-in instruction.
3. Carefully cement the appliance in place and allow the silicon cement joints to dry for at least 24 hours.
4. Potentially connect to the electrical mains connection before inserting the appliance.



**Cool air supply with regard to drawer or cabinet installed below**

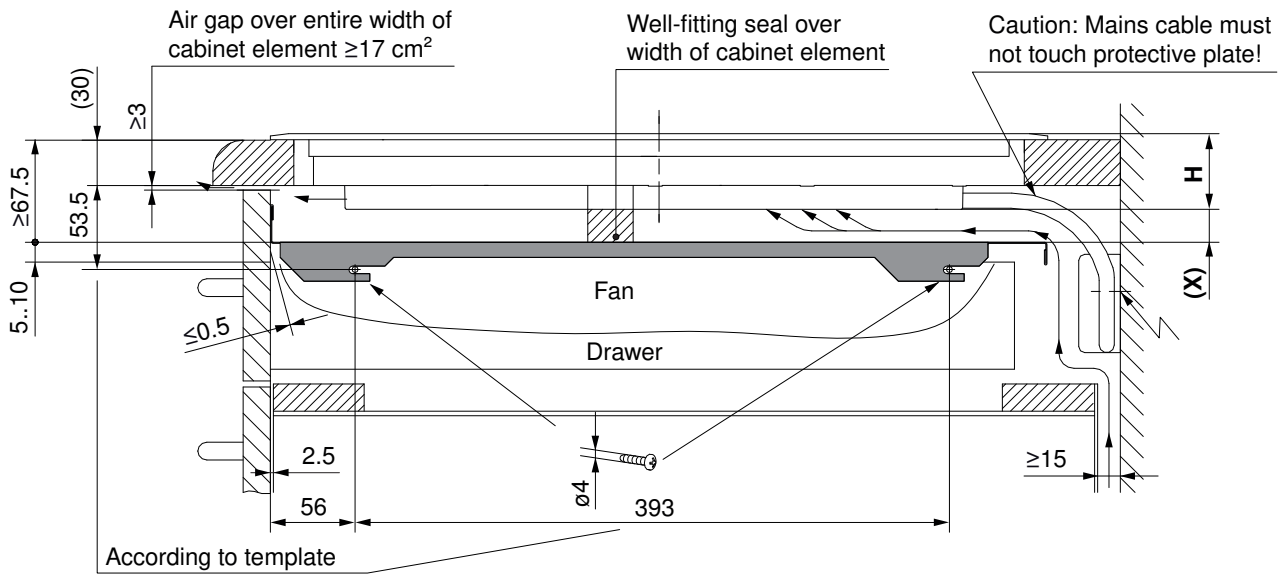
To ensure good ventilation, there must be  $\geq 10$  mm of space under the appliance.



- A** Required space for the appliance under the work surface.
- B** Required space for the ventilation of the appliance under the work surface.
- H** Dimension from the top of the work surface to the underside of the hob (fan opening)

**Installation of the ventilation protective plate with 3 mm ventilation gap at the front**

A ventilation protective plate is required to ensure sufficient ventilation of the hob. There must be a distance of  $\geq 10$  mm between the underside of the appliance and the ventilation protective plate.



Type	X	Remarks
GK26TIMSZ, GK27TIMSZ	12 mm	Overlying installation
	10 mm	Flush installation

- H** Dimension from the top of the work surface to the underside of the hob (fan opening).