

Installation instructions

Wok induction hob
GK16TIWSZ



1021087-R01

29/11/2016

 **The appliance should be installed by qualified personnel only. Each step must be carried out and checked in full in the order specified.**

Validity

These installation instructions are valid for the following models:

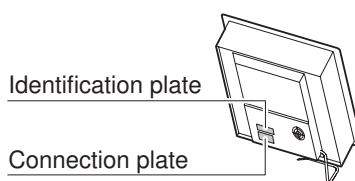
Product family	With dual design
31088	GK16TIWSZ

General notes

 **The directives and standards for low-voltage installations and fire protection must be complied with when installing in flammable material.**

Identification plate

The identification plate is located next to the connection plate.



- ▶ Affix the second identification plate (supplied) in an accessible position behind the front of the fitted cabinet beneath the appliance.

Installation accessories supplied

Flush installation:

Designation	Art. No.
Cementing-in instructions	J004133
Sealing tape set	H63283
Spacer set	H60330

Accessories

Overlying installation:

Designation	Art. No.
Stainless-steel bridge for the overlying combination of various hobs	1014361
Black bridge for the overlying combination of various hobs	1019199

Flush installation:

Designation	Art. No.
Steel angle set, installation dimension 40	H63771
Instant adhesive for installing the steel angle Permabond F246 incl. activator, 50 ml tube. From Silitech AG, 3008 Bern.	B11502
Sealant set Complete with cleaning agent, primer type 1105, cartridge with black silicone adhesive, with nozzle. Suitable for all absorbent covering materials (wood and types of natural stone such as marble and granite).	86.3928.85
Special primer type 107 Suitable for non-absorbent covering materials (not suitable for polyethylene, polypropylene or Teflon).	45.2771.76
Bridge set for the flush combination of various hobs (comprises two bridges)	H63789



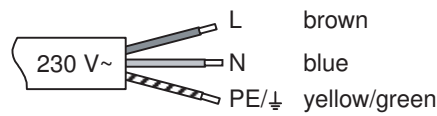
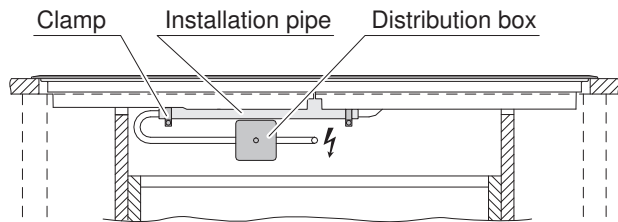
Electrical connection

! Electrical connections must be carried out by qualified personnel in accordance with the guidelines and standards for low-voltage installations and the specifications of the local electricity supply companies.

A plug-in appliance may only be connected to a socket outlet with earthing contact, installed according to specifications. An all-pole mains isolating device with 3 mm contact opening should be provided in the house wiring system. Switches, plug and socket devices, circuit breakers and fusible cut-outs which are accessible after installation and which have all-poles switching are permissible as isolating devices. Effective earthing and separately installed neutral and earth conductors ensure safe and fault-free operation. After installation, live parts and cables with basic insulation must not be accessible. Check old installations.

- ▶ The appliance is designed for use up to a max. altitude of 2000 m above sea level.
- ▶ Refer to the identification plate for information on the required mains voltage, current type and fuse protection.

The appliance is equipped with a connection cable which must be connected to an on-site junction box.



Error message U400

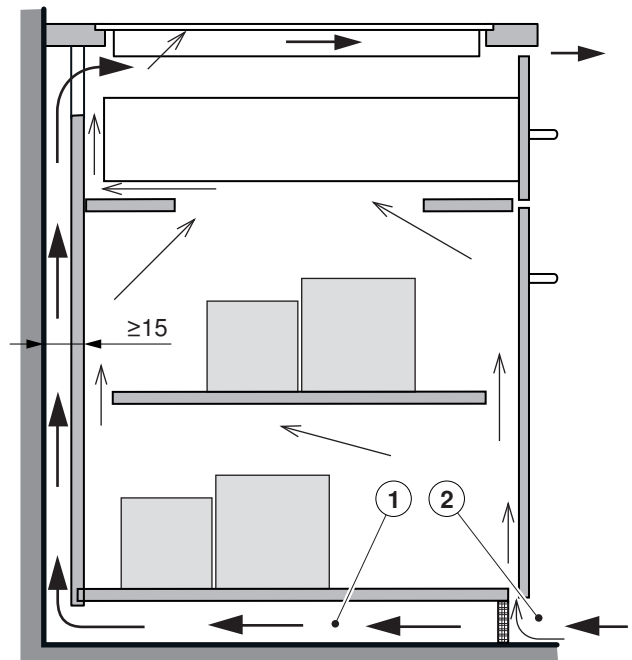
! Faulty connection: A pole conductor has been connected to the connection terminal for neutral conductors.

Quickly disconnect the appliance from the mains!

Ventilation

In order to guarantee good ventilation, a space of ≥ 10 mm height is necessary beneath the appliance.

1. The rear panel of the base unit must be open around the work surface cut-out to guarantee continuous air circulation via the ventilation slits. The air must be drawn in from outside the cabinet and be able to circulate freely from inside the cabinet to the hob.
2. Alternatively, a concealed fresh air supply can ensure air circulation inside the cabinet. In order that enough cold air can be drawn in, there must be a continuous circulation of fresh air that extends outside the cabinet. The air must be drawn in from outside the cabinet and be able to circulate freely from inside the cabinet to the hob.



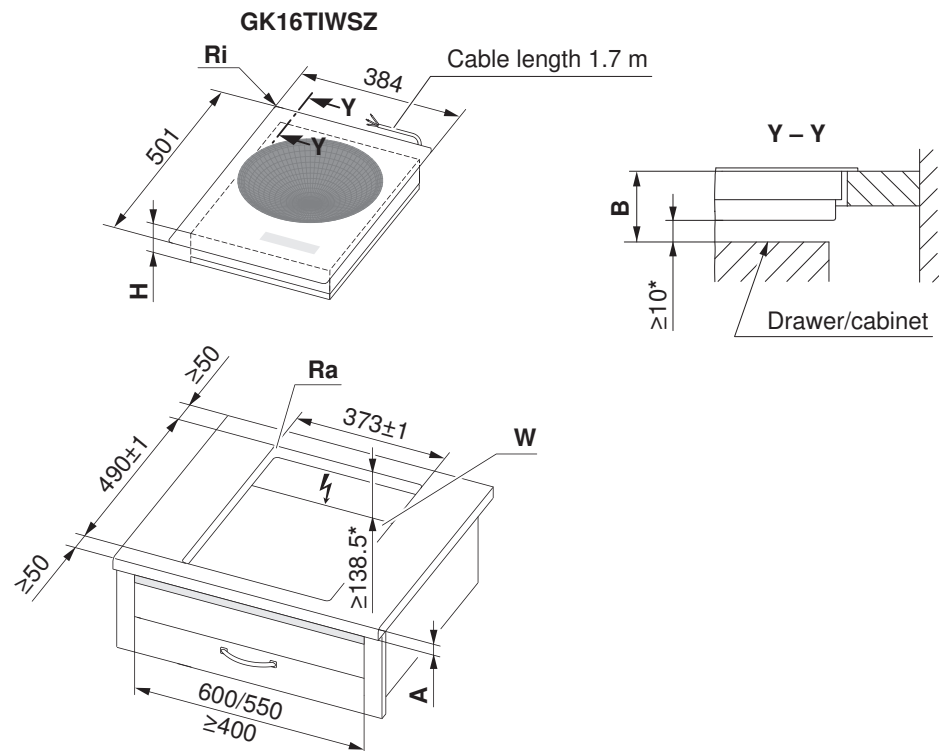


General information about installation

- The worktop must be flat so that it is sufficiently sealed against the ingress of liquids.
- In order to guarantee good ventilation, a space of at least 10 mm in height is necessary beneath the appliance.

Overlying installation

The cooking ring layout of the hob to be fitted can differ from the hob illustrated.



* The clearance space must be maintained.

Type	A – loosely based on manufacturer	B	H	Corner radius Ra/Ri
GK16TIWSZ	≥30 mm	≥138.5 mm	128.5 mm	5/1.5 mm

- A** Worktop thickness
- B** Required clearance in the service exchange
- H** Measurement from the top side of the worktop to the underside of the hob (ventilation opening)
- Ri** Appliance corner radii
- Ra** External corner radii of the cut-out
- W** The intermediate base must be removable from below



Symmetrical to niche width

